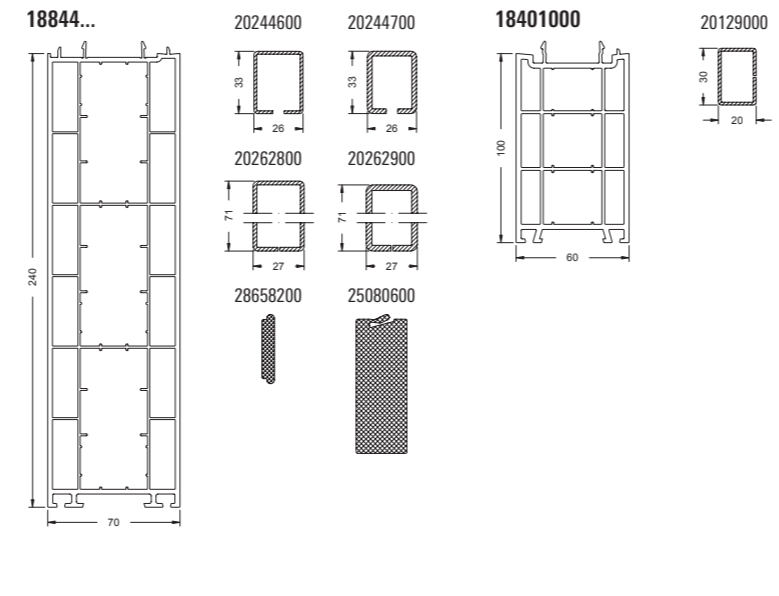
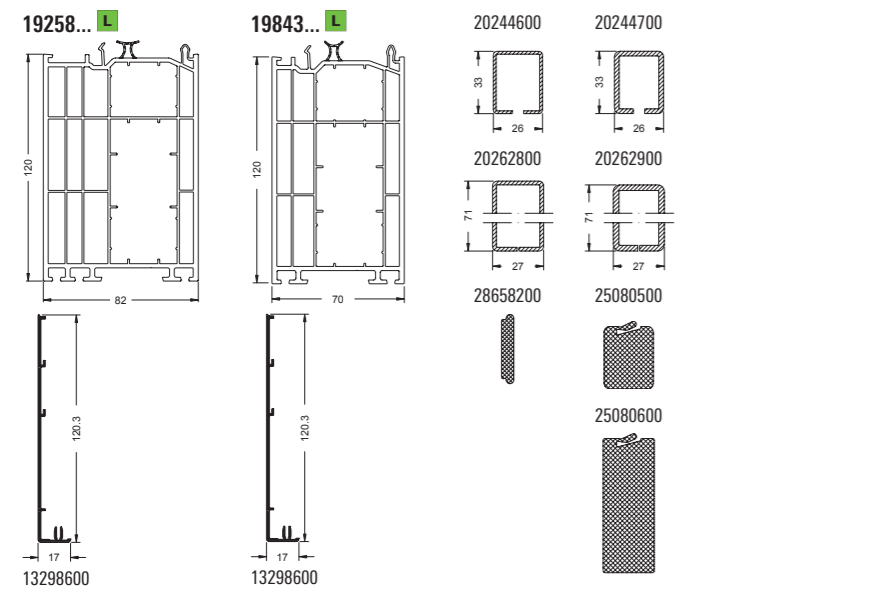
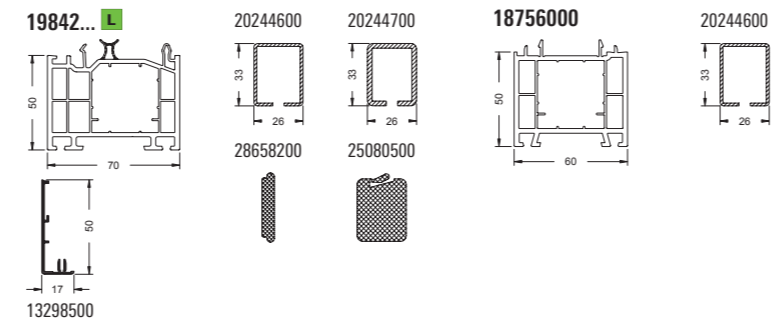
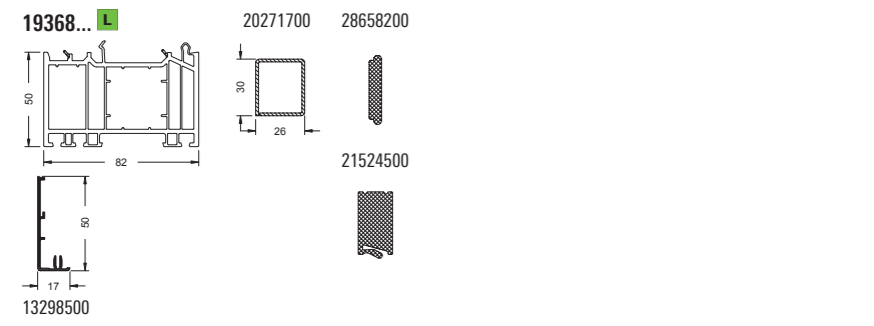
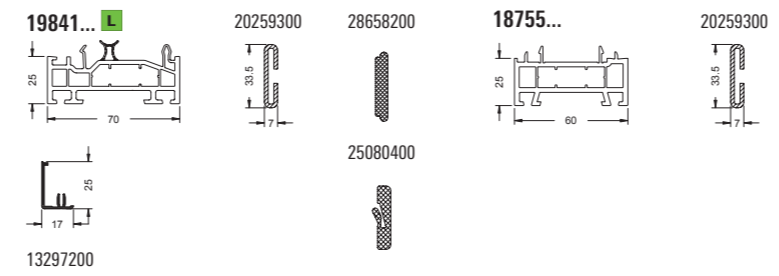
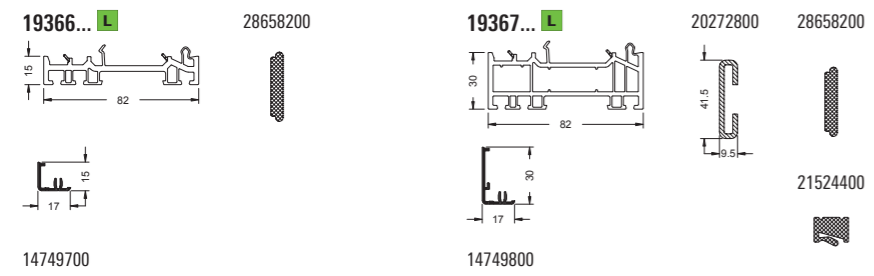
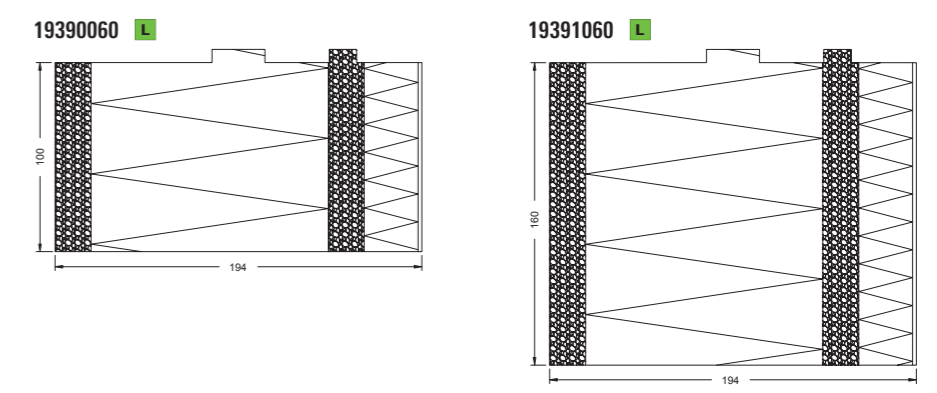
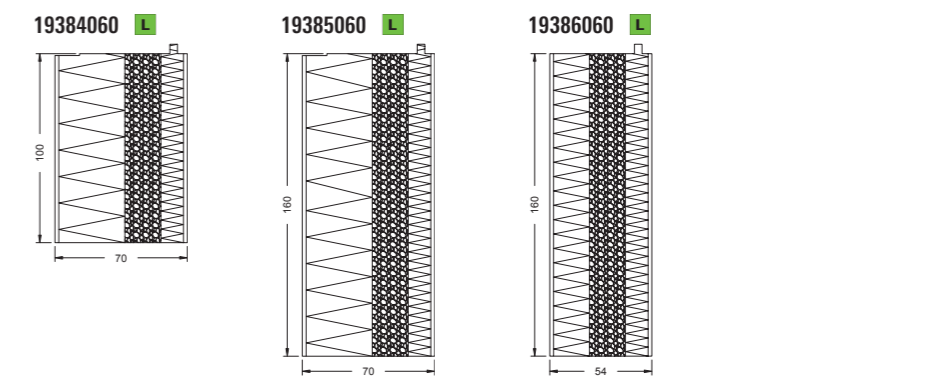
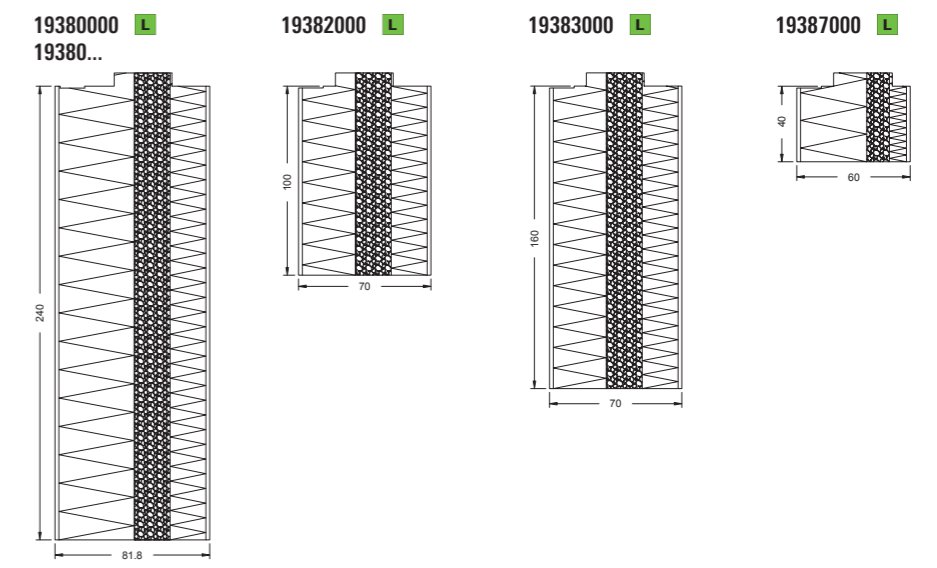


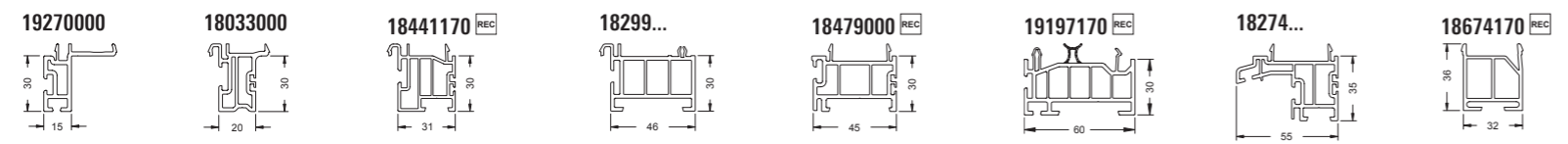
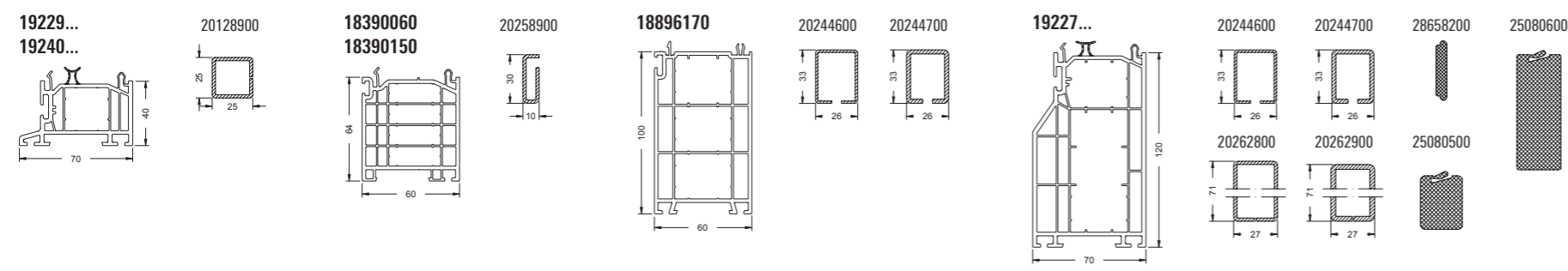
Blendrahmenverbreiterungen ■ Outer frame extensions



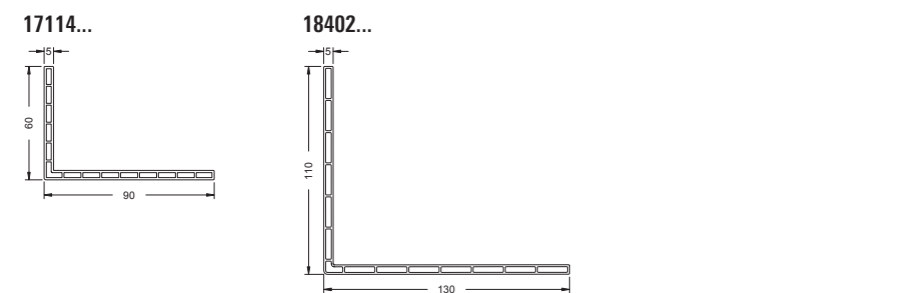
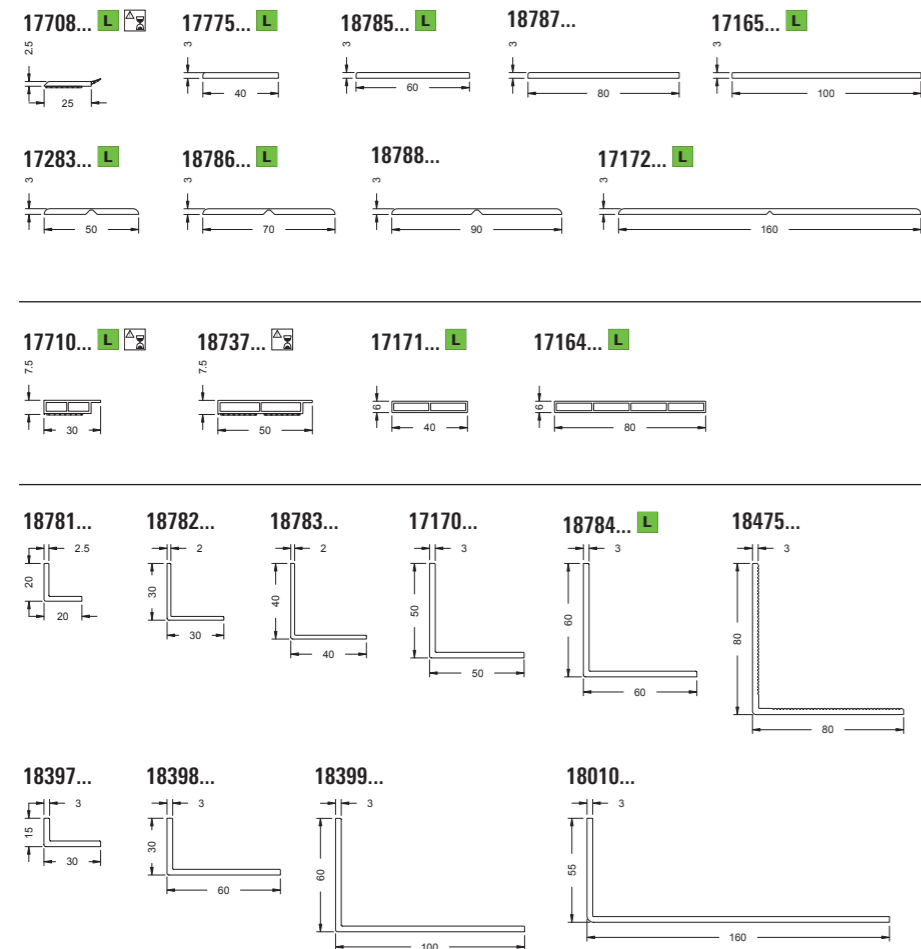
Dämmanschlussprofile ■ Insulation attachment profiles



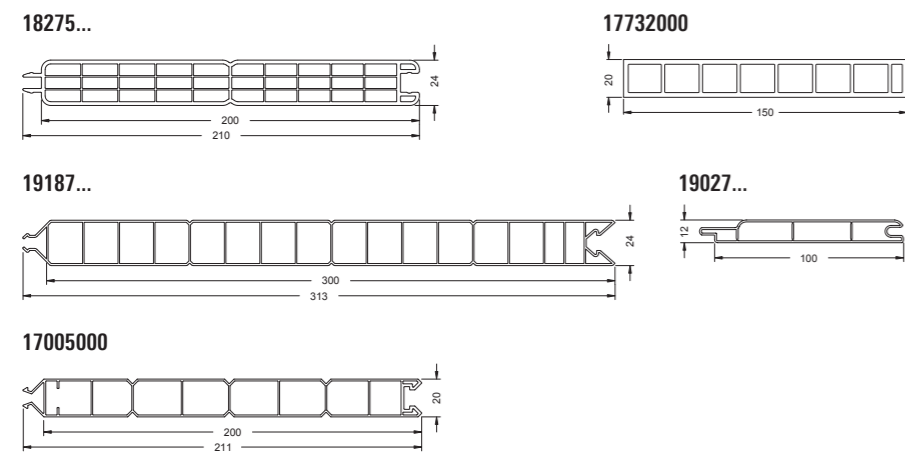
Basisprofile ■ Base profiles



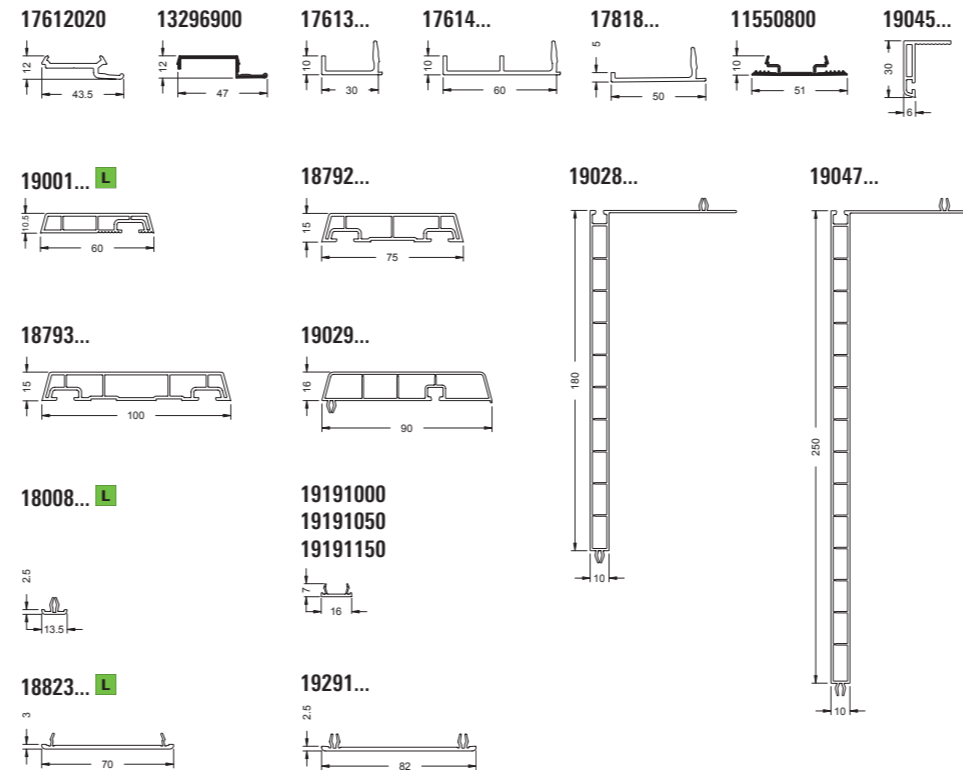
Flach- und Winkelprofile ■ Flat and angled profiles



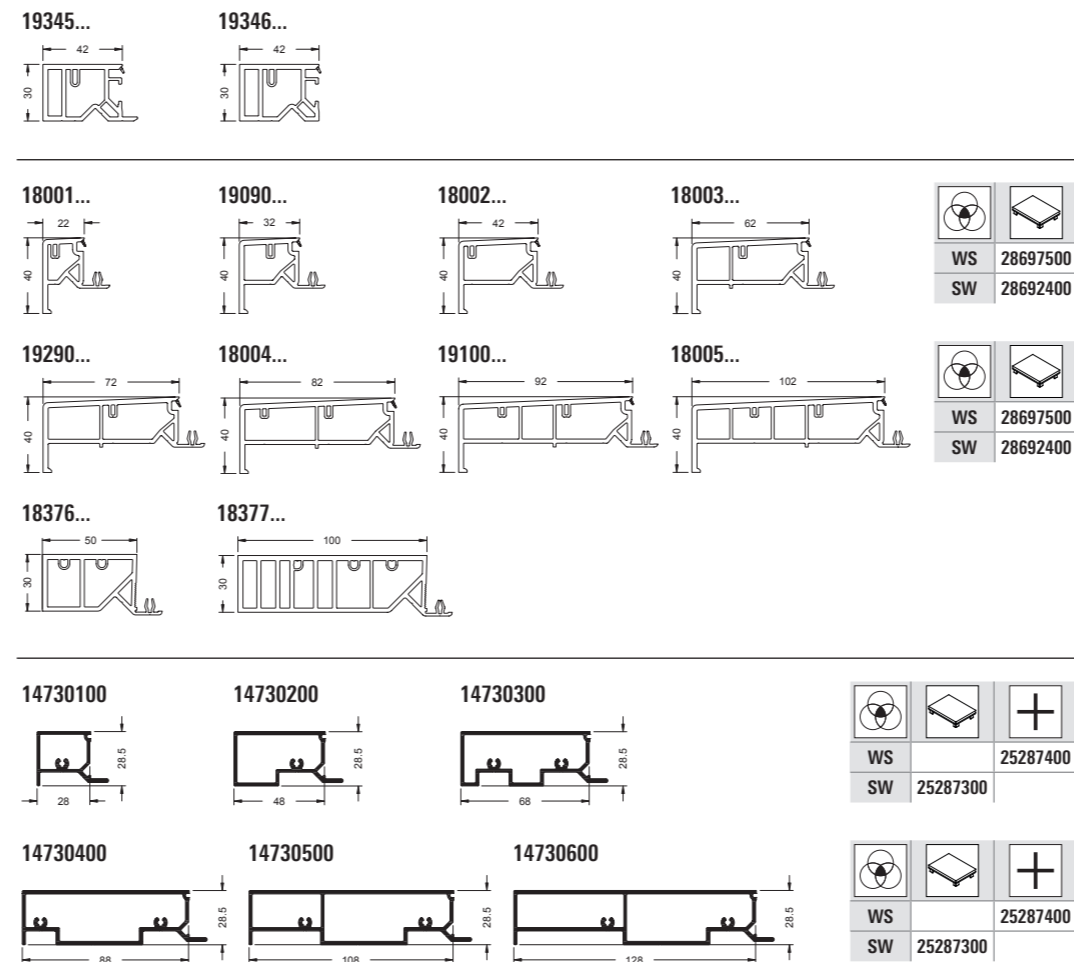
Füllungsprofile ■ Infill profiles



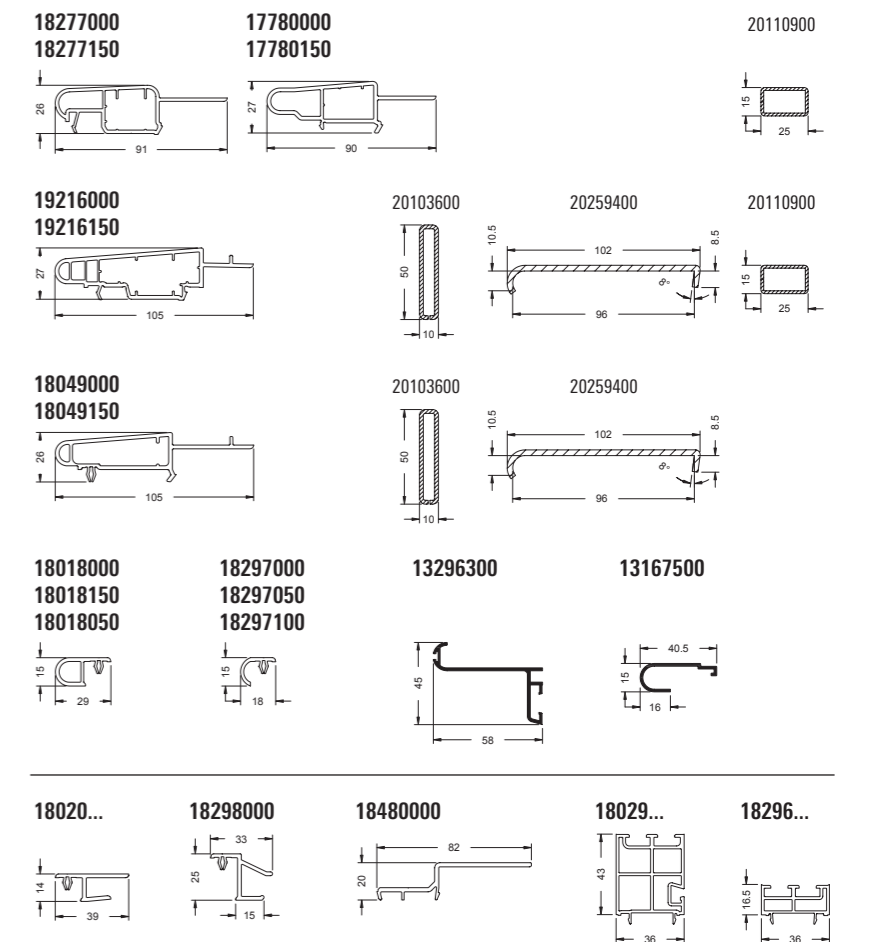
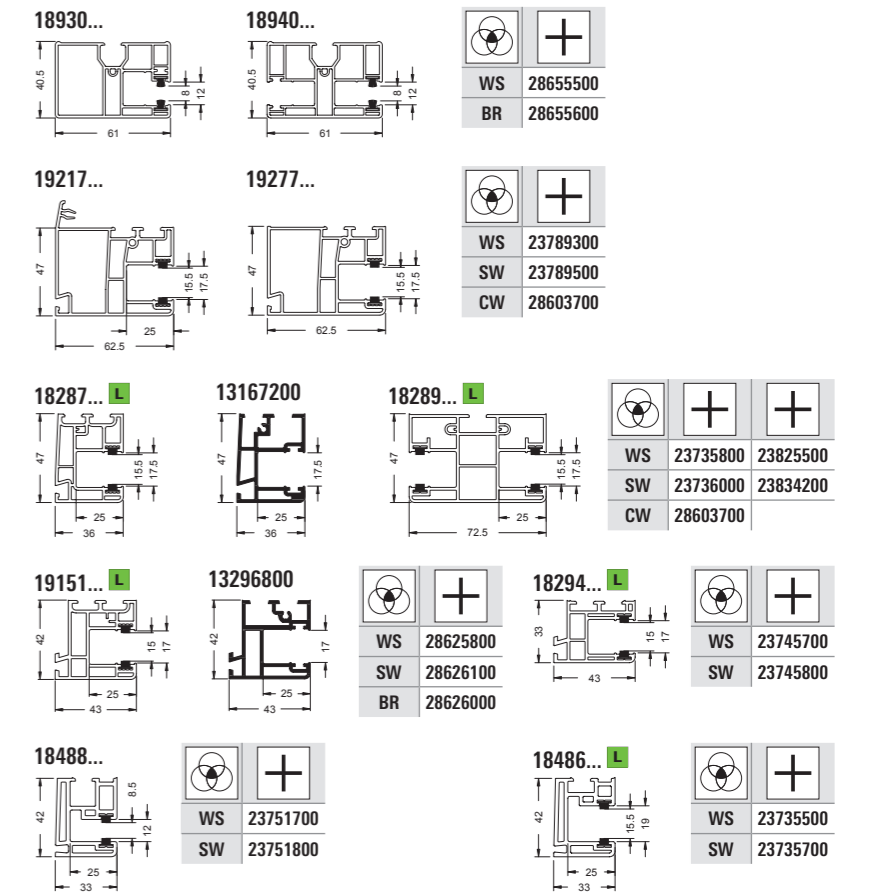
Verkleidungsprofile ■ Cladding profiles



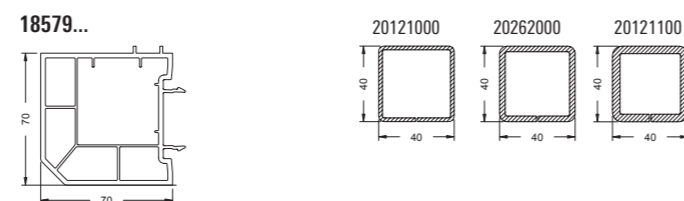
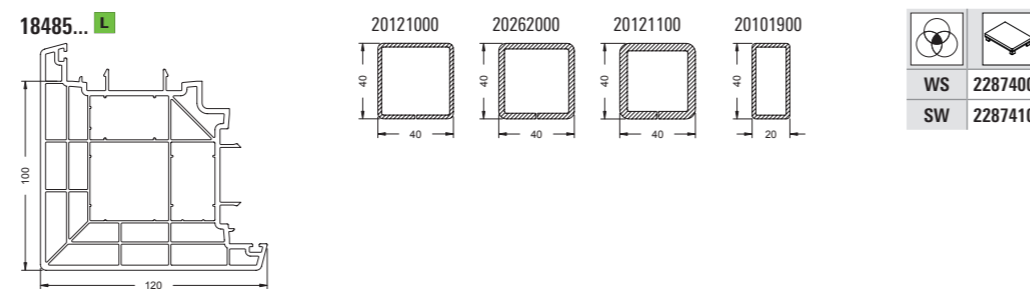
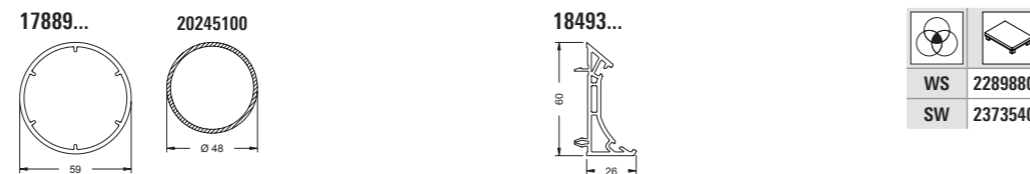
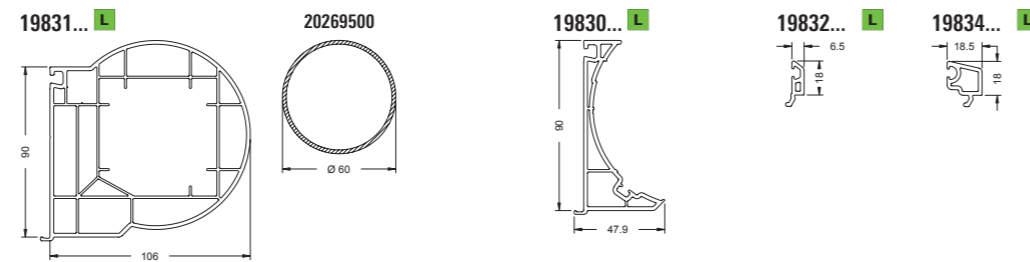
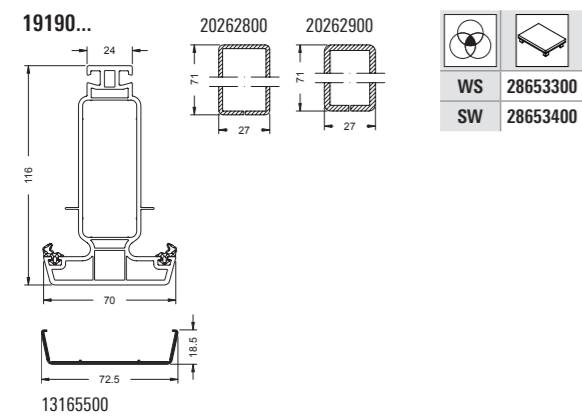
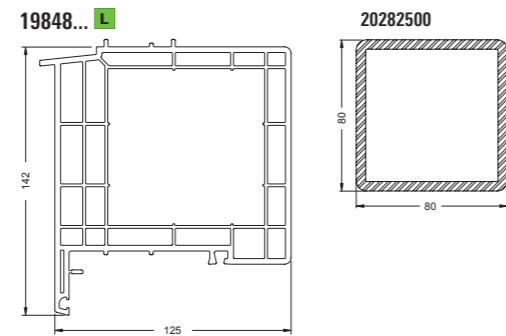
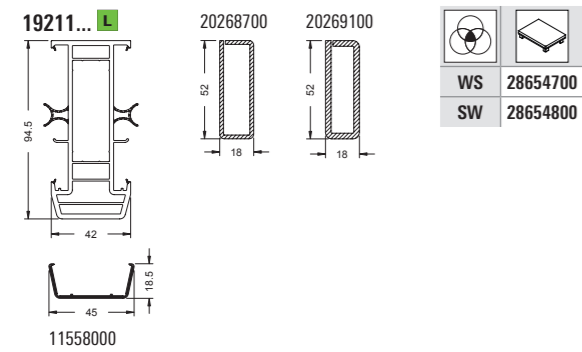
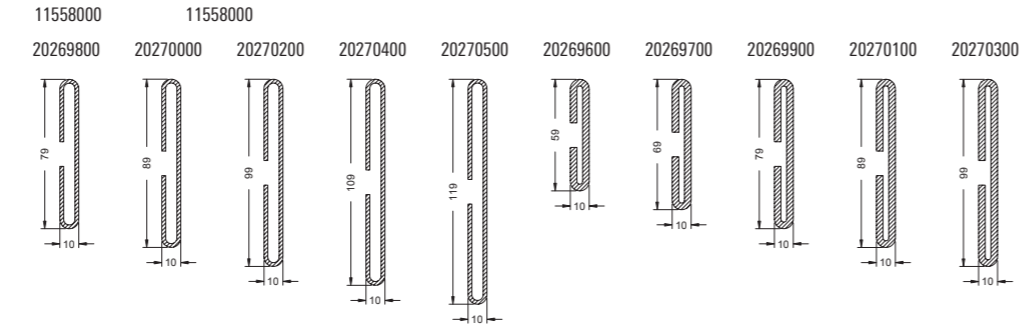
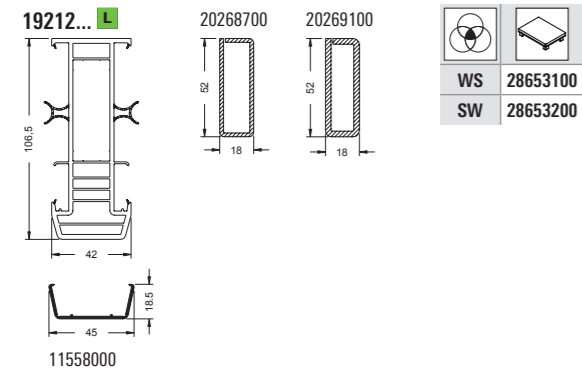
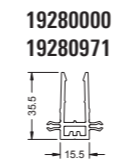
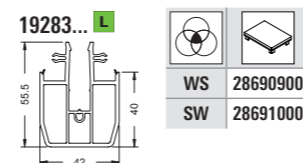
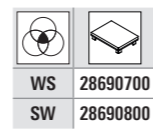
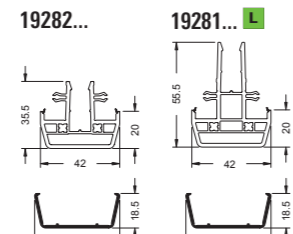
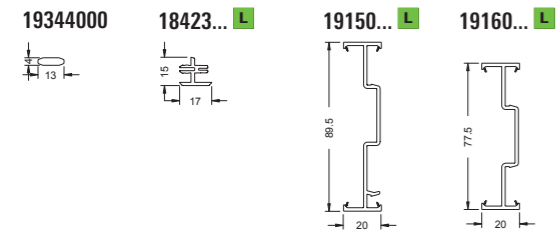
Zargenprofile ■ Frame trim profiles



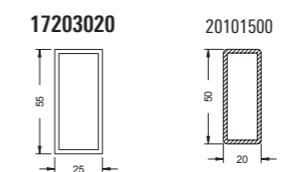
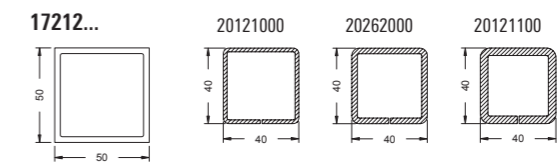
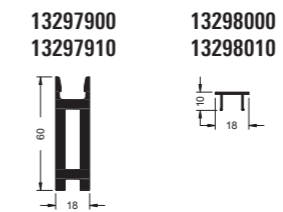
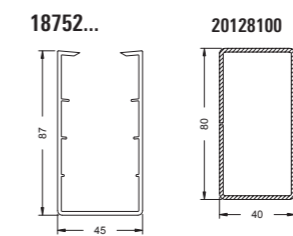
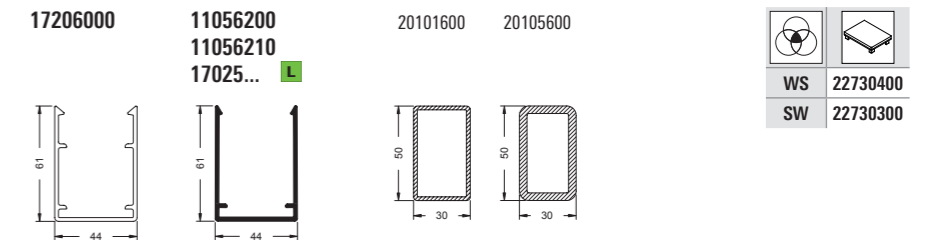
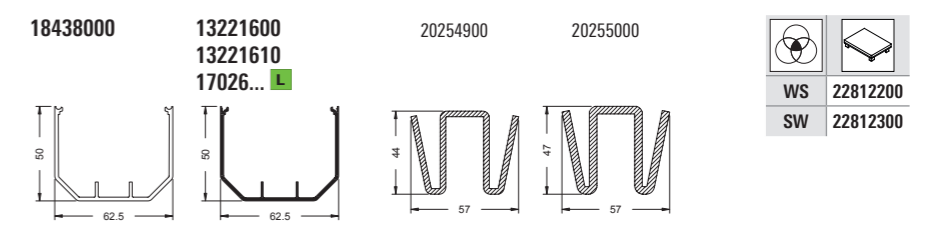
Rollladenprofile ■ Roller shutter profiles



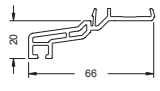
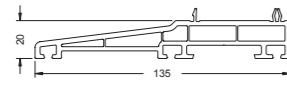
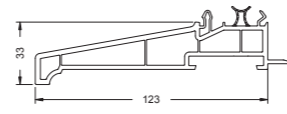
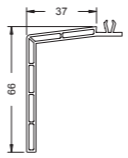
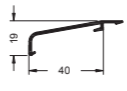
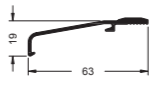
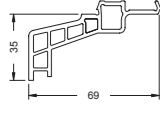
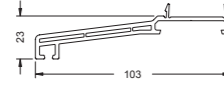
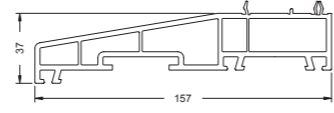
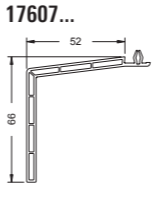
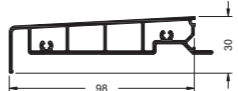
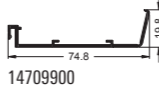
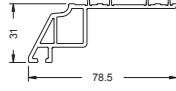
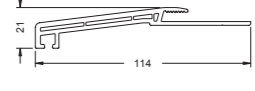
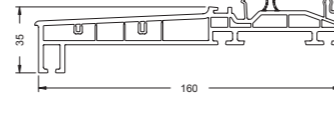
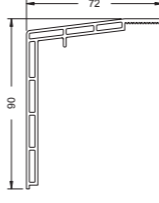
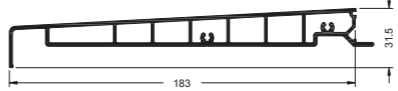
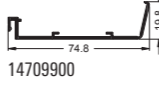
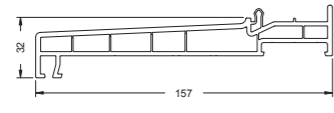
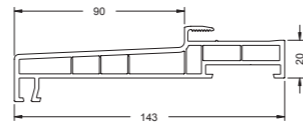
Kopplungsprofile ■ Coupling profiles



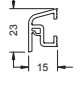
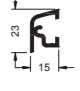
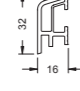

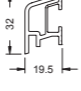

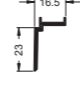
Statik- und Abdeckprofile ■ Structural and cover profiles



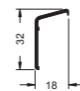

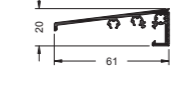
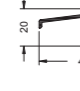
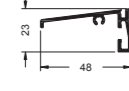
Fensterbankprofile ■ Window sill profiles

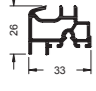
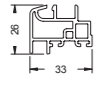
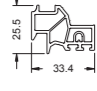

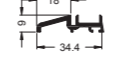
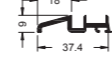
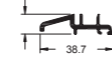



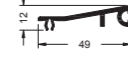
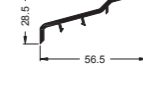
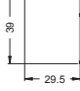
<p>18439...</p>  <p>66</p>	<p>19019...</p>  <p>135</p>	<p>19342...</p>  <p>123</p>	<p>17788...</p>  <p>37 66</p> <p>WS 21893900</p>	<p>11800500</p>  <p>19 40</p>	<p>13295200</p>  <p>19 63</p>
<p>19295... L</p>  <p>35 69</p>	<p>18273...</p>  <p>23 103</p> <p>WS 23735100 SW 23735300</p>	<p>17112...</p>  <p>37 157</p> <p>WS 21718400 SW 22776700</p>	<p>17607...</p>  <p>52 66</p> <p>WS 21852300</p>	<p>14736600</p>  <p>30 98</p> <p>WS 25287600 SW 25287500</p>	<p>14709900</p>  <p>74.8 19.8</p>
<p>19833...</p>  <p>31 78.5</p>	<p>18391...</p>  <p>21 114</p> <p>WS 23735100 SW 23735300</p>	<p>19310...</p>  <p>35 160</p> <p>WS 28697500 SW 28692400</p>	<p>17218...</p>  <p>72 90</p>	<p>14736700</p>  <p>31.5 183</p> <p>WS 25287600 SW 25287500</p>	<p>14709900</p>  <p>74.8 19.8</p>
<p>19419...</p>  <p>38 157</p> <p>WS 25871400 SW 25871500</p>	<p>19276...</p>  <p>90 143</p> <p>WS 28697500 SW 28692400</p>				

Wetterschenkel ■ Drip bar


<p>18375...</p>  <p>23 15</p>	<p>14732810 14732860 14732890 17426...</p>  <p>23 15</p> <p>WS 23758600 SW 23758700 BR 25061200 KAR 25061300</p>	<p>17547... L</p>  <p>32 16</p>	<p>11499700 11499710 11499790 17023...</p>  <p>32 16</p> <p>WS 21804100 SW 21898700 CW 22897300 BR 28697700 KAR 28697800</p>	<p>17494... L</p>  <p>32 19.5</p>	<p>13163300 13163390 17128...</p>  <p>5 20</p> <p>WS 23729900 SW 23730100 CW 23730000</p>	<p>11496700</p>  <p>16.5 20</p>
---	---	---	---	---	---	---

Trittschutzprofile ■ Kick plate profiles

<p>11399400 11399410 11399460 11399470</p>  <p>32 18</p>	<p>11499610 11499660 11499670</p>  <p>22 18</p>	<p>11499510 11499560 11499570</p>  <p>20 61</p>	<p>11499410 11499460 11499470</p>  <p>20 48</p>	<p>13168660 6,5 m</p>  <p>23 48</p> <p>WS 26607400</p>
---	---	---	---	--

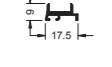
<p>14732910 14732960 14732990 17427...</p>  <p>26 33</p>	<p>19194...</p>  <p>26 33</p>	<p>19838150 19838...</p>  <p>25.5 33.4</p> <p>WS 28641100 SW 28641200 CW 28641300</p>	<p>19394...</p>  <p>36 39</p> <p>WS 25299100 SW 25299200 CW 25299300</p>	<p>11555000 11555010 11555060 11555070</p>  <p>18 34.4</p>	<p>11555300 11555360 11555370</p>  <p>18 37.4</p>	<p>14709600 14709610 14709660 14709670</p>  <p>10.5 38.7</p>	<p>14709700 14709760 14709770</p>  <p>10.5 41.3</p>	<p>14731600 14731610 14731660 14731670</p>  <p>10.5 41.5</p> <p>WS 28634100 SW 28634200 CW 28696400 BR 28696300 KAR 28696200</p>	<p>13162300 13162310 13162370</p>  <p>72 54.5</p>	<p>13296700 13296760</p>  <p>1.2 49</p>	<p>11550100 11550160</p>  <p>28.5 56.5</p>	<p>11550200 11550260</p>  <p>30 29.5</p>
---	---	--	--	---	---	---	---	---	---	--	---	---

14709500
14709510
14709560
14709570



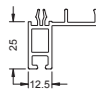
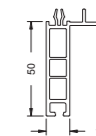
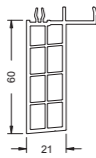
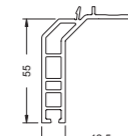
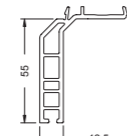
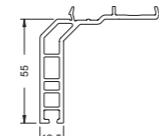
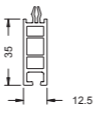
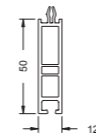
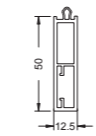
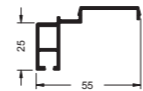
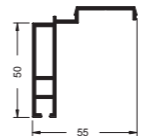
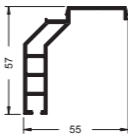
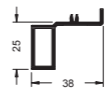
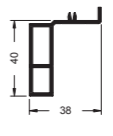
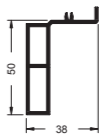
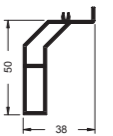
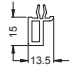
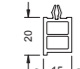
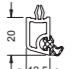

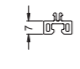
10.5
20.7

14705300
14705310
14705360
14705370



17.5

Anschlussprofile ■ Attachment profiles

<p>19213... L</p>  <p>25 12.5</p>	<p>19214...</p>  <p>50 12.5</p>	<p>18280...</p>  <p>60 21</p>	<p>18474... L</p>  <p>65 12.5</p>	<p>18404...</p>  <p>65 12.5</p>	<p>19228... L</p>  <p>65 12.5</p>	<p>18759... L</p>  <p>35 12.5</p>	<p>18769... L</p>  <p>50 12.5</p>	<p>18999... L</p>  <p>50 12.5</p>	<p>13296500</p>  <p>25 55</p>	<p>13296600</p>  <p>50 55</p>	<p>13298200</p>  <p>67 55</p>	<p>14733000</p>  <p>25 38</p>	<p>14736000</p>  <p>40 38</p>	<p>14733200</p>  <p>50 38</p>	<p>14733100</p>  <p>50 38</p>
<p>18054...</p>  <p>15 13.5</p>	<p>18839...</p>  <p>20 15</p>	<p>19051... L</p>  <p>20 12.5</p>	<p>18374000</p>  <p>10</p>	<p>18927... 6,5 m</p>  <p>10</p>											